

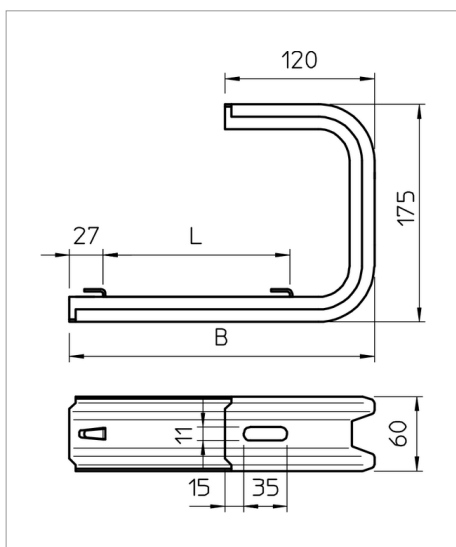
Technical data sheet TP wall and ceiling bracket



TP wall and ceiling bracket with clamping lugs for screwless mesh cable tray fastening.

Important| If the ceiling bracket is fastened directly to the wall or ceiling, then, for reasons of stability, always use the spacer, type DS 4.

Max. side height of the cable support system 60 mm.



Type	Width mm	for width mm	Pack. pcs	Weight kg/100 pcs.	F in kN wall kN	F in kN ceiling kN	Art.-No.
TPDG 145 VA4301	145	100	6	53.000	1.4	1.3	6365989
TPDG 195 VA4301	195	150	6	60.000	1.05	0.95	6365991
TPDG 245 VA4301	245	200	5	67.000	0.87	0.8	6365993
TPDG 345 VA4301	345	300	5	81.000	0.55	0.5	6365995

VA Stainless steel, grade 304

/pc.

