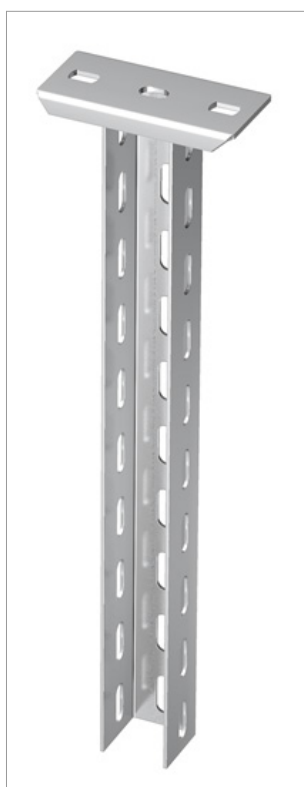
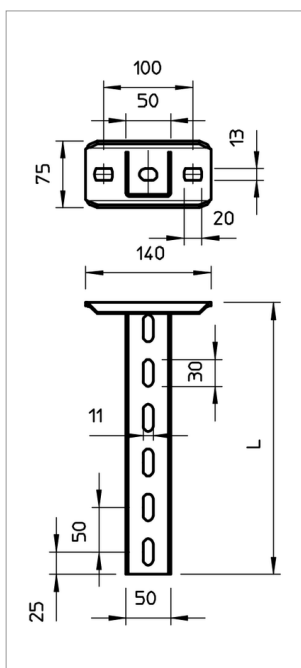


Technical data sheet US 5 suspended support



U support with welded head plate.
For fastening to horizontal concrete ceilings and steel girders.

In the case of bracket installation on both sides, or when installing the bracket at the end of the support, use the spacer of type DSK 45.



Type	Length mm	Material thickness mm	Pack. pcs	Weight kg/100 pcs.	Art-No.
US 5 K 20 VA4301	200	2.5		82.000	6341358
US 5 K 30 VA4301	300	2.5	2	106.000	6341362
US 5 K 40 VA4301	400	2.5		131.000	6341366
US 5 K 50 VA4301	500	2.5		155.000	6341370
US 5 K 60 VA4301	600	2.5		180.000	6341374
US 5 K 70 VA4301	700	2.5		205.000	6341378
US 5 K 80 VA4301	800	2.5		230.000	6341382
US 5 K 90 VA4301	900	2.5		255.000	6341386
US 5 K 100VA4301	1000	2.5		279.000	6341390
US 5 K 110VA4301	1100	2.5		302.000	6341394
US 5 K 120VA4301	1200	2.5		328.000	6341398

VA Stainless steel, grade 304

GB stained

/pc.