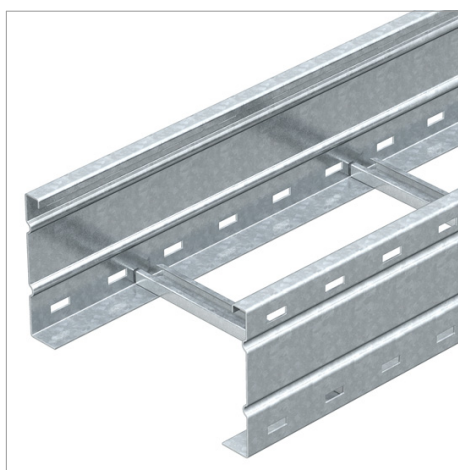


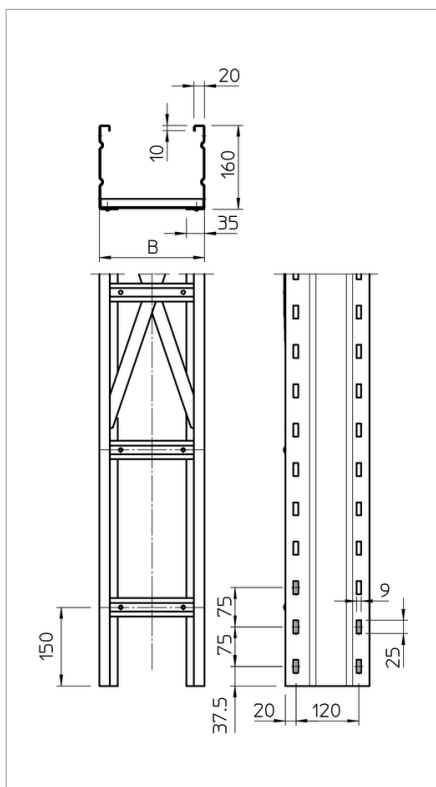
Technical data sheet

Wide span cable ladder WKLG 160



WKLG 160 = wide span cable ladder with perforated side rails of side height of 160 mm.

Straight connectors of type WRV 160 should be ordered separately and in the appropriate quantity.



Type	Width mm	Plate thickness mm	Length mm	Usable cross- section cm ²	Weight kg/100 m	Art.-No.
WKLG 1620 FS	200	2	6000		737.300	6227023
WKLG 1630 FS	300	2	6000		767.300	6227031
WKLG 1640 FS	400	2	6000		797.300	6227058
WKLG 1650 FS	500	2	6000		828.500	6227066
WKLG 1660 FS	600	2	6000		859.300	6227074

St Steel

FS Strip-galvanised

/m

