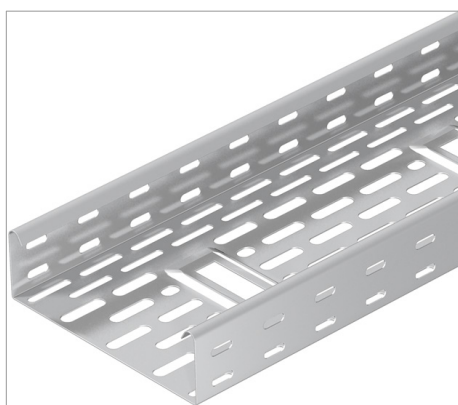


# Technical data sheet Cable tray DKS

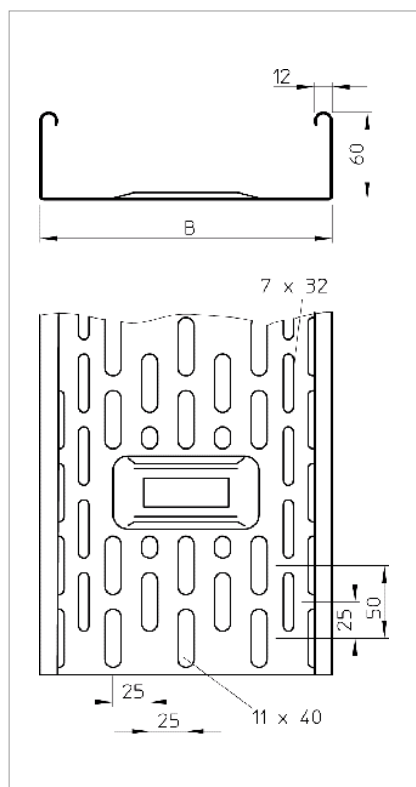


DKS 60 = perforated cable tray system with 60 mm side height.

Permeable cable tray system to VdS guideline 2092 with 30% hole surface for use under sprinkler systems.

Bottom penetration from width 200 mm.

Connecting parts should be ordered in the appropriate quantity.



Type	Width mm	Plate thickness mm	Length mm	Usable cross- section cm <sup>2</sup>	Weight kg/100 m	Art.-No.
DKS 610 VA4301	100	0.8	3000	58	157.000	6085601
DKS 620 VA4301	200	0.8	3000	118	213.000	6085628
DKS 630 VA4301	300	0.8	3000	178	214.000	6085636
DKS 640 VA4301	400	1	3000	238	294.000	6085644
DKS 650 VA4301	500	1	3000	298	350.000	6085652
DKS 660 VA4301	600	1	3000	358	437.000	6085660

VA Stainless steel, grade 304

/m

