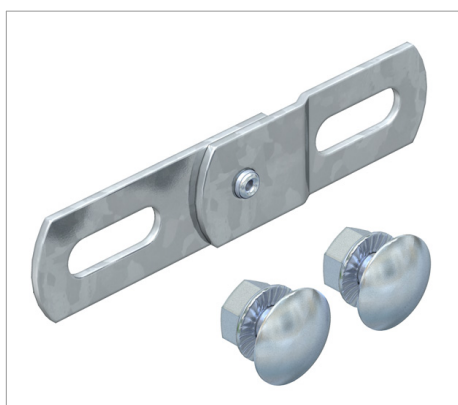


Technical data sheet

Hinge connector



Hinge connector for vertical bend connections of BKK systems.

Including appropriate fastening material.

Type	Plate thickness mm	Dimension mm	Pack. pcs	Weight kg/100 pcs.	Art.-No.
SV DD	2	86 x 23	50	3.300	6066941

St Steel

DD Zinc-aluminium coated, double-dip

/pc.

