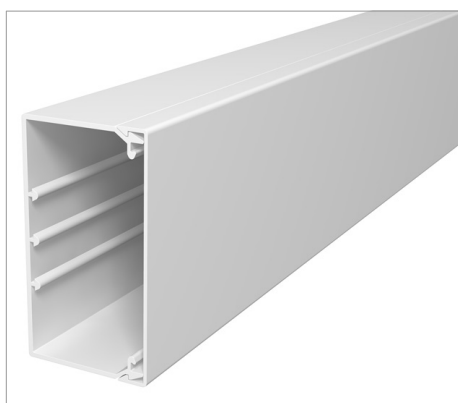


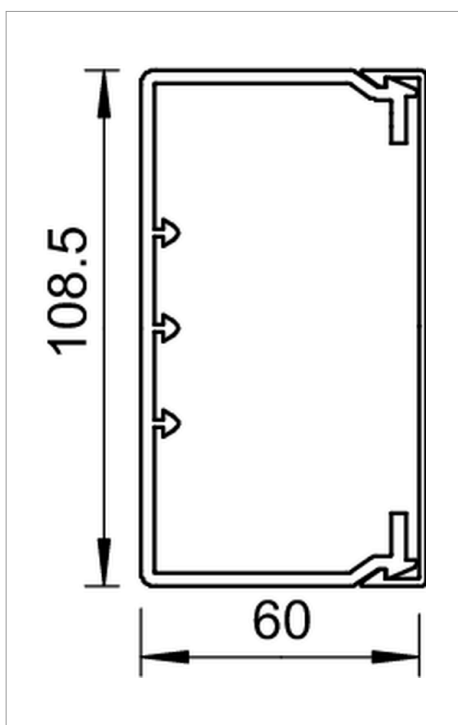
# Technical data sheet

## Trunking, type WDKH-60110



Trunking cover and base With base perforation made of halogen-free plastic including cover fixing devices.

During installation, ensure that only halogen-free accessories and fastening materials are used.



| Type          | Colour                  | Length<br>mm | Pack.<br>m | Weight<br>kg/100 m | Art.-No. |
|---------------|-------------------------|--------------|------------|--------------------|----------|
| WDKH-60110RW  | Pure white;<br>RAL 9010 | 2000         | 16         | 95.900             | 6175420  |
| WDKH-60110CW  | Cream; RAL<br>9001      | 2000         | 16         | 95.900             | 6175447  |
| WDKH-60110LGR | Light grey;<br>RAL 7035 | 2000         | 16         | 95.900             | 6175472  |

**PC/ABS** Polycarbonate/Acrylnitrile-butadiene-styrene

/m

