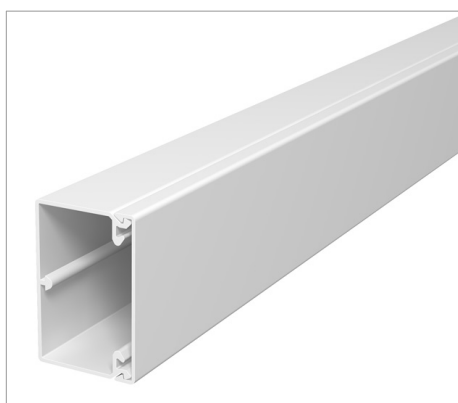


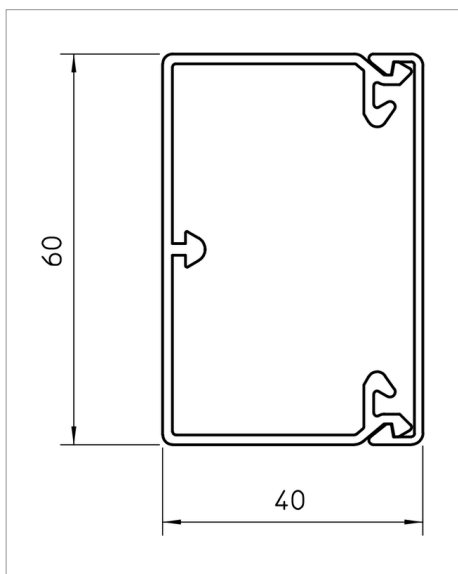
Technical data sheet

Trunking, type WDKH 40060



Trunking cover and base With base perforation made of halogen-free plastic including cover fixing devices.

During installation, ensure that only halogen-free accessories and fastening materials are used.



Type	Colour	Length mm	Pack. m	Weight kg/100 m	Art.-No.
WDKH-40060RW	Pure white; RAL 9010	2000	24	44.000	6175410
WDKH-40060CW	Cream; RAL 9001	2000	24	44.000	6175441
WDKH-40060LGR	Light grey; RAL 7035	2000	24	44.000	6175466

PC/ABS Polycarbonate/Acrylnitrile-butadiene-styrene

/m

