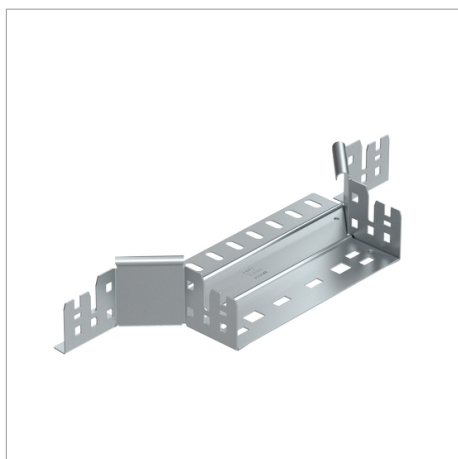
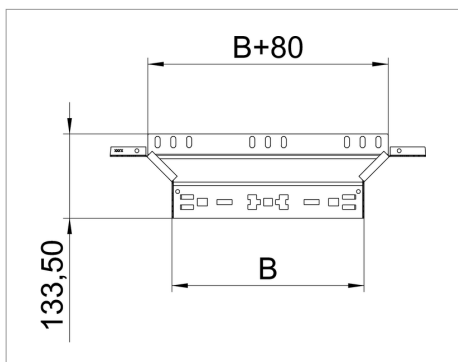


Technical data sheet Mounting/branch piece



Mounting/branch piece with quick connector system. For all cable tray types of 60 mm side height.



Type	Width mm	Pack. pcs	Weight kg/100 pcs.	Art-No.
RAAM 610 FS	100	1	37.900	6041230
RAAM 620 FS	200	1	50.600	6041234
RAAM 630 FS	300	1	63.500	6041236
RAAM 640 FS	400	1	76.500	6041238
RAAM 650 FS	500	1	89.300	6041240
RAAM 660 FS	600	1	102.700	6041242

St Steel

FS Strip-galvanised

/pc.

