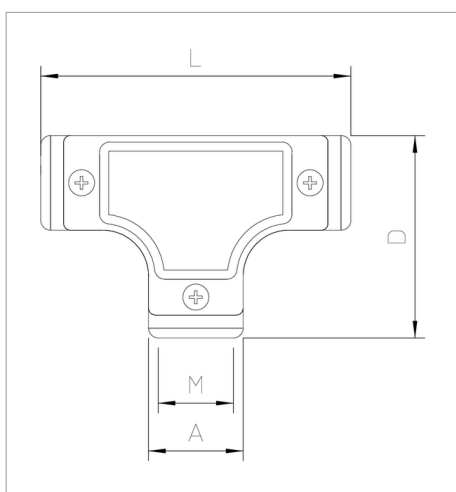


## Technical data sheet T-Stück mit Gewinde



Besides the electrogalvanised and electrogalvanised pipes, the metal pipe system now includes systems with a black, powder-coated surface and systems made of rust-proof stainless steel (V2A). The pipe systems and their accessories are available with and without connection threads. Fittings such as 90° pipe bends and pipe connection sleeves are also part of the portfolio. Metal pipes are particularly suitable for applications with high mechanical loads, such as those in industry or in outdoor areas.

Type	Thread	Dimension D mm	Dimension L mm	Weight kg/100 pcs.	Art.-No.
SKTM16 W G	M16x1,5	47.5	72	7.200	2047604
SKTM20 W G	M20x1,5	65	102	13.500	2047605
SKTM25 W G	M25x1,5	75	115	22.000	2047606
SKTM32 W G	M32x1,5	96	156	46.600	2047607
SKTM40 W G	M40x1,5	96	156	34.000	2047608
SKTM50 W G	M50x1,5	124.5	194	56.300	2047609

Cast aluminium

/100

