

# Technical data sheet

## Cable gland, metric thread, set with locknut

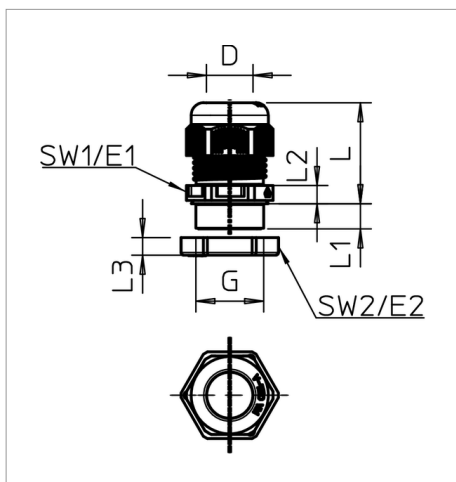


The quickest and most convenient way of providing strain relief and tightness with cable glands on junction boxes and housings is with the tried-and-trusted V-TEC VM cable glands from OBO. With the integrated sealing lip and the special OBO lamella technology protection class IP 68 is achieved. Strain relief and tightness have been tested to DIN EN 50262.

The connecting threads of the cable glands are metric and are therefore suitable for universal use. Once screwed in place, the fitting is there forever, as the optimum thread adjustment with the right pitch ensures permanent resistance to shaking.

Applications: from private housing with junction boxes up to industrial applications in the distributor cabinet.

Temperature range: -20 °C to +65 °C.



Type	Thread	Colour	Box quantity	Pack. pcs	Weight kg/100 pcs.	Art.-No.
V-TEC VM12+ LGR	M12 x 1,5	Light grey; RAL 7035	600	50	0.337	2022762
V-TEC VM16+ LGR	M16 x 1,5	Light grey; RAL 7035	500	50	0.795	2022764
V-TEC VM20+ LGR	M20 x 1,5	Light grey; RAL 7035	600	50	1.106	2022766
V-TEC VM25+ LGR	M25 x 1,5	Light grey; RAL 7035	300	25	1.710	2022768
V-TEC VM32+ LGR	M32 x 1,5	Light grey; RAL 7035	240	20	2.840	2022770
V-TEC VM40+ LGR	M40 x 1,5	Light grey; RAL 7035	120	10	5.150	2022772
V-TEC VM50+ LGR	M50 x 1,5	Light grey; RAL 7035	60	5	6.356	2022774
V-TEC VM63+ LGR	M63 x 1,5	Light grey; RAL 7035	60	5	10.136	2022776



PA Polyamide

/100