

# Technical data sheet Junction box A 18

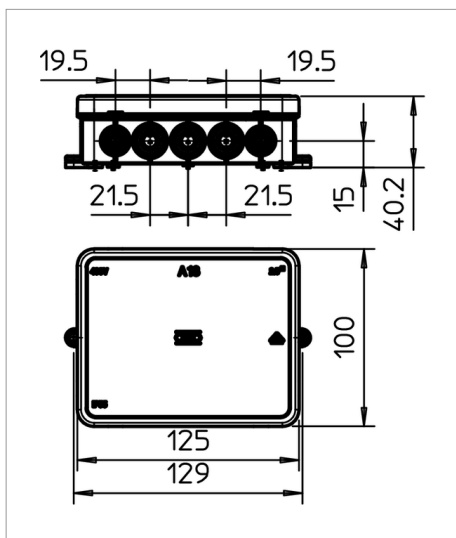


Protection rating IP55, nominal voltage 400 V, nominal cross-section 2.5 ÷ mm<sup>2</sup>, 18 entry nipples for cable diameters 7–14 mm. Clamshell.

Dimensions: 125 x 100 x 40 mm

Clear internal dimensions: 115 x 90 x 35 mm

2 penetration mandrels for every 10 boxes



Type	Accessories	Colour	Box quantity	Pack. pcs	Weight kg/100 pcs.	Art.-No.
A 18 5	1 terminal strip	Light grey; RAL 7035	80	10	6.957	2000414
A 18	Without terminal strip	Light grey; RAL 7035	80	10	6.957	2000410
A 18 HF RO	Without terminal strip	Red	80	10	6.957	2000418
A 18 HF RW	Without terminal strip	Pure white; RAL 9010	80	10	6.957	2000422

PE Polyethylene

/100

