

# Technical data sheet Junction box A 14

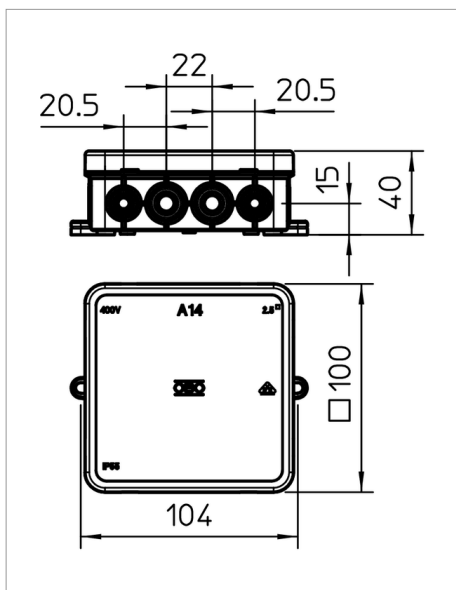


Protection rating IP55, nominal voltage 400 V, nominal cross-section 2.5 ÷ mm<sup>2</sup>, 14 entry nipples for cable diameters 7–14 mm. Clamshell.

Dimensions: 100 x 100 x 40 mm

Clear internal dimensions: 90 x 90 x 35 mm

2 penetration mandrels for every 10 boxes



| Type       | Accessories            | Colour               | Box quantity | Pack. pcs | Weight kg/100 pcs. | Art.-No. |
|------------|------------------------|----------------------|--------------|-----------|--------------------|----------|
| A 14 5     | 1 terminal strip       | Light grey; RAL 7035 | 100          | 10        | 5.855              | 2000382  |
| A 14       | Without terminal strip | Light grey; RAL 7035 | 100          | 10        | 5.855              | 2000378  |
| A 14 HF RO | Without terminal strip | Red                  | 100          | 10        | 5.855              | 2000386  |
| A 14 HF RW | Without terminal strip | Pure white; RAL 9010 | 100          | 10        | 5.855              | 2000390  |

PE Polyethylene

/100

