

Technical data sheet Junction box A 6



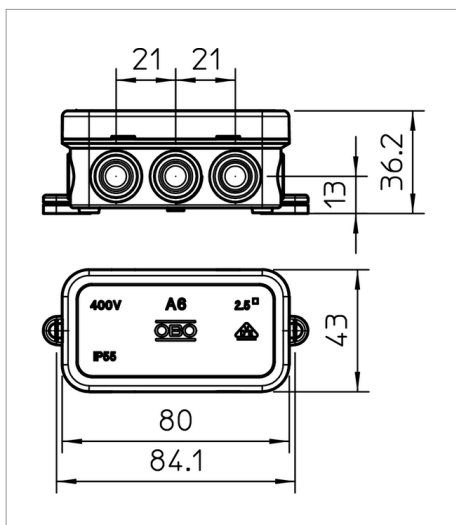
Protection rating IP55, nominal voltage 400 V, nominal cross-section 2.5 ÷ mm², 6 entries for cable diameter 7-14 mm and 4 entries for cable diameter 7-9 mm.

Clamshell.

Dimensions: 80 x 43 x 34 mm

Clear internal dimensions: 70 x 32 x 31 mm

2 penetration mandrels for every 10 boxes



Type	Accessories	Colour	Box quantity	Pack. pcs	Weight kg/100 pcs.	Art-No.
A 6	Without terminal strip	Light grey; RAL 7035	100	10	2.560	2000001
A 6 HF RW	Without terminal strip	Pure white; RAL 9010	100	10	2.560	2000005
A 6 HF RO	Without terminal strip	Red	100	10	2.560	2000003

PE Polyethylene

/100

