

Technical data sheet

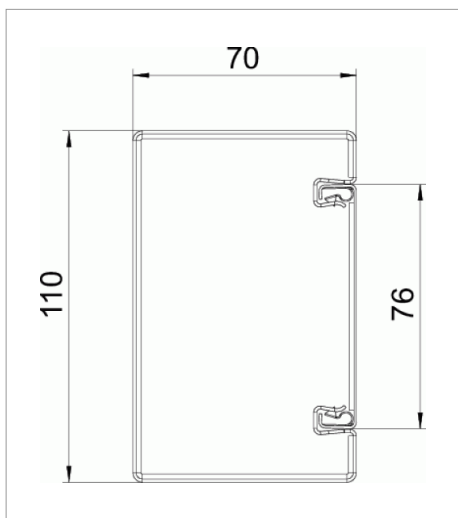
Metal fire protection duct, I30 to I120



Sheet steel duct with intumescent interior coating
 In case of fire, actively prevents the spread of fire in the duct and protects emergency and escape routes against the impacts of a cable fire. The cover and base are securely interconnected using the self-contacting patented locking brackets. This also creates the equipotential bonding.
 Fire resistance classes I30 to I120 according to DIN 4102 Part 11.

Mounting options: directly on the wall or under the ceiling, beneath system floors on the raw floor, or suspended on support systems or using connector elements (support spacing, max. 1 m).

Scope of delivery: cover and base as complete unit
 Coloured versions available on request in various RAL shades.



Type	Height mm	Width mm	Length mm	Pack. m	Weight kg/100 m	Art.-No.
BSKM 0711	70	110	2000	2	387.000	7216300
St Steel					FS Strip-galvanised	/m