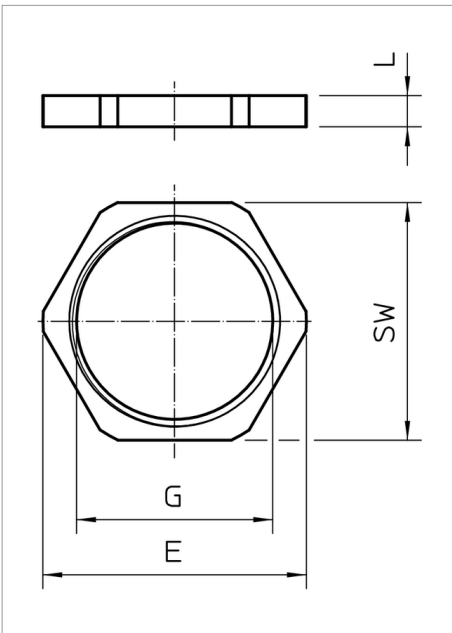


Technical data sheet Locknut, metric thread



Locknuts DIN 46319 with metric thread IEC 423.

* Price according to DEL notation.

Type	Thread	SW mm	Dimension E mm	Dimension L mm	Pack. pcs	Weight kg/100 pcs.	Art.-No.
169 MS M12	M12 x 1,5	15	16.6	3	100	0.220	2091607
169 MS M16	M16 x 1,5	20	22.1	2.8	100	0.310	2091615
169 MS M20	M20 x 1,5	24	25.6	3	100	0.580	2091623
169 MS M25	M25 x 1,5	30	33.2	3.5	100	0.880	2091631
169 MS M32	M32 x 1,5	35	38.7	4	100	1.120	2091658
169 MS M40	M40 x 1,5	45	49.8	4.5	50	1.920	2091666
169 MS M50	M50 x 1,5	55	66.4	5.5	50	3.070	2091674
169 MS M63	M63 x 1,5	70	77.6	6	25	5.720	2091682
169 MS M75	M75 x 1,5	90	100	8	5	16.800	2091685

Brass

Nickel-plated

/100

