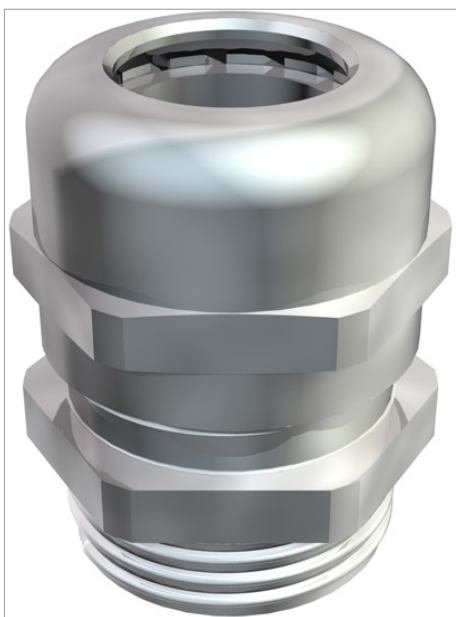


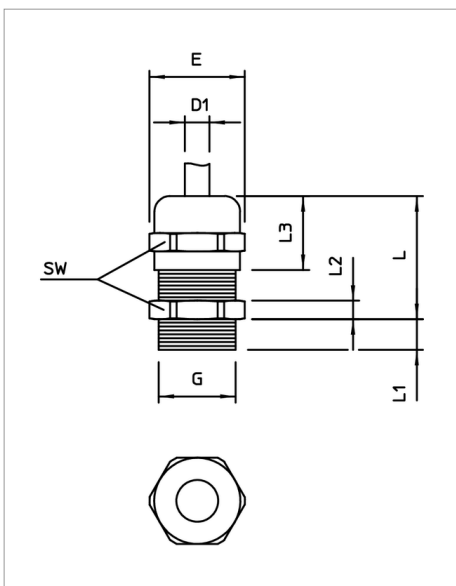
Technical data sheet

Cable gland, metric thread



With metric connecting thread to IEC 423 robust cap-nut cable gland with large sealing area. Strain relief, wringing protection and tightness over the whole clamping area. Neoprene sealing ring. Polyamide terminal insert. With pre-mounted sealing ring on connection thread, VDE-tested to DIN EN 50262, protection rating IP 68 at 5 bar for 1 hr.

* Prices according to DEL notation.



Type	Thread	Box quantity	Pack. pcs	Weight kg/100 pcs.	Art.-No.
V-TEC VM12 MS	M12 x 1,5	500	50	1.200	2086018
V-TEC VM16 MS	M16 x 1,5	600	50	1.640	2086024
V-TEC VM20 MS	M20 x 1,5	250	25	3.140	2086030
V-TEC VM25 MS	M25 x 1,5	250	25	4.260	2086036
V-TEC VM32 MS	M32 x 1,5	160	20	7.160	2086042
V-TEC VM40 MS	M40 x 1,5	60	5	12.240	2086048
V-TEC VM50 MS	M50 x 1,5	45	5	22.700	2086054
V-TEC VM63 MS	M63 x 1,5	40	5	30.300	2086060

Brass

Nickel-plated

/100

