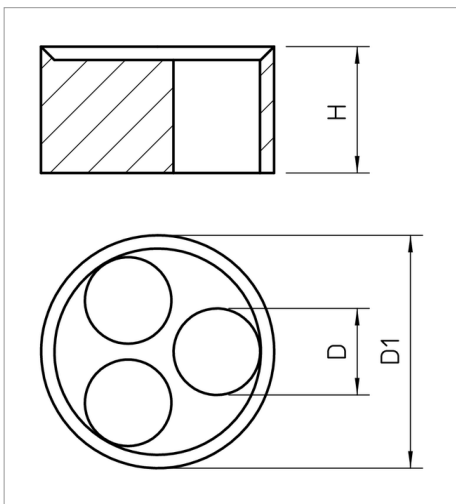


Technical data sheet

Multiple sealing insert, metric



Use to insert multiple thin cables in the V-TEC VM cable glands, is replaced with the simple sealing ring of the cable gland.

Type	Size mm	Dimensi on D mm	Dimensi on H mm	Dimensi on D1 mm	Number of drill holes	Box quantity	Pack. pcs	Weight kg/100 pcs.	Art.-No.
107 C VM 20 2x4	M20	4	8.1	15.1	2	750	50	0.130	202967 2
107 C VM 20 4x5	M20	5	8.1	15.1	4	750	50	0.080	202967 5
107 C VM 20 2x6	M20	6	8.1	15.1	2	750	50	0.100	202967 7
107 C VM 25 5x4	M25	4	10	19.8	5	500	50	0.180	202967 9
107 C VM 25 3x6	M25	6	10	19.8	3	500	50	0.210	202968 2
107 C VM 25 2x6	M25	6	10	19.8	2	500	50	0.260	202968 5
107 C VM 25 3x7	M25	7	10	19.8	3	500	50	0.180	202968 8
107 C VM 25 2x8	M25	8	10	19.8	2	500	50	0.200	202969 0
107 C VM 32 2x8	M32	8	13.4	25.1	2	500	25	0.530	202969 3
107 C VM 32 4x8	M32	8	13.4	25.1	4	500	25	0.400	202969 6

NBR
SBR Rubber mixture

/100

