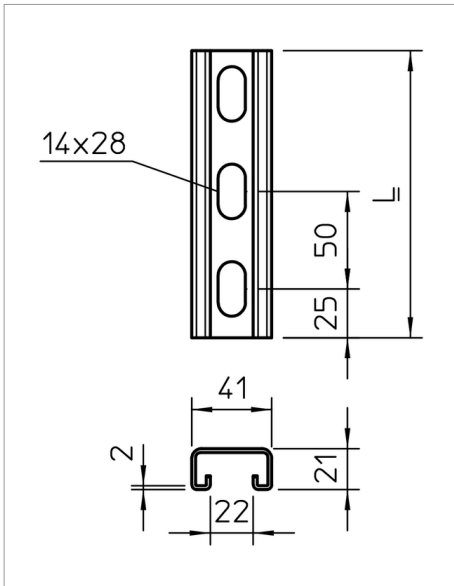
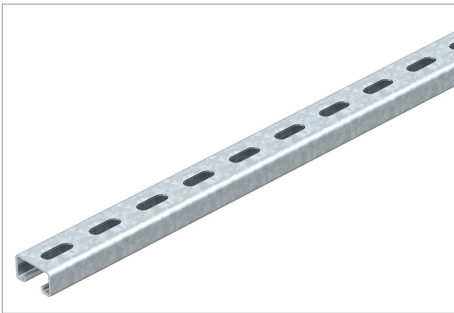


Technical data sheet

Mounting rail, MS 21



Heavy-duty profile/mounting rail with continuous perforation in base, slot width 22 mm.

Type	Version	Dimension b x h mm	Material thickness mm	Length mm	Pack. pcs	Weight kg/100 pcs.	Art.-No.
MS 21 L 200 FT	Perforated	41x21	2	200	30	30.300	1122933
MS 21 L 300 FT	Perforated	41x21	2	300	25	45.500	1122934
MS 21 L 400 FT	Perforated	41x21	2	400	10	60.600	1122935
MS 21 L 500 FT	Perforated	41x21	2	500		75.800	1122936
MS 21 L 600 FT	Perforated	41x21	2	600		90.900	1122937
MS 21 L 700 FT	Perforated	41x21	2	700		106.100	1122938
MS 21 L 800 FT	Perforated	41x21	2	800		121.200	1122939
MS 21 L 900 FT	Perforated	41x21	2	900		136.400	1122940

St Steel

FT Hot-dip galvanised

/100

